

2

3

4

5

6

7

REVISION DATA		
REV	DESCRIPTION	DATE
A0	NEW DRAWING	16-5-5

Technical Data

Material:

Pin(outer sleeve):Brass, machined CuZn38Pb2

Plating(outer sleeve):

Tin Plated:2μm/80μm"Ni, 5μm/200μ"Sn

Gold Plated:2μm"/80μm"Ni, 0.8μ" gold

Insulator:PPS UL94V-0

Electrical:

Current rating:3Amps/contact max.

Contact resistance: ≤4mΩ/contact

Insulation resistance: ≥1000MΩ at V=100V

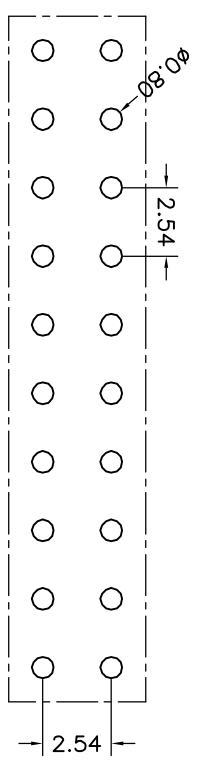
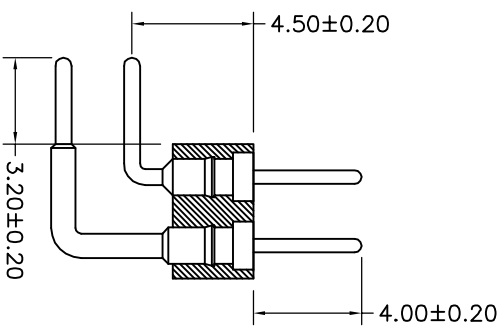
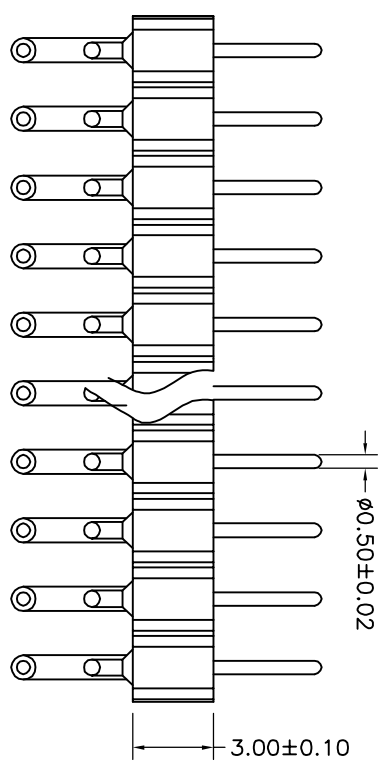
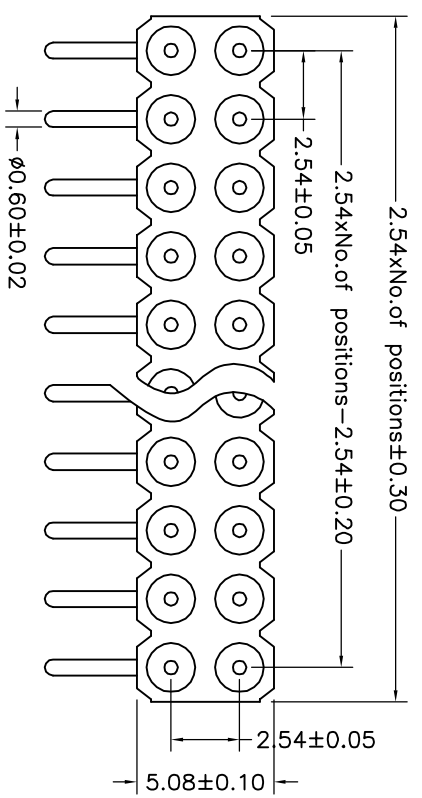
Dielectric Withstanding Voltage:1000V AV Min

Operaling voitage:60VAC/DC

Mechanical:

Operating temperature:-40° C to+105° C

Soldering temperature:+255° C



P. C. B LAYOUT

QZT	X	X	-	X	XX	XX	XXXX	X
-----	---	---	---	---	----	----	------	---

Pitch(mm)
 A=1.27
 B=1.778
 C=2.00
 D=2.54

Insulator Type code
 1=Single row
 2=Double row
 3=Three row

Angel Options
 D=180°
 R=90°
 S=SMF
 F=IC

No. of Positions
 XX positions

Pin plated
 T1=Tin 150μ"
 T2=Tin 200μ"
 G1=6/F
 G2=gold 30μ"
 G3=gold 100μ"
 G4=gold 150μ"
 G5=gold 300μ"

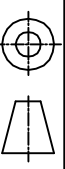
Pin Length Options
 1276=12.76mm
 1776=17.76mm

Specifications
 A=Public seat
 B=Female seat

TOLERAVCE

X,XXX	±0.05
X,XX	±0.15
X,X	±0.20
X	±0.30
ANGLE	±5.0°

PROJECTON



TITLE:
 Double row socket connector 2.54mm
 L=12.76/17.76mm 90°

DATE: 2016-5-5

DRAWN: TANG-S-G PART NO: QZTD2-RXXXX1776A

CHECKED: DRAWING NO: 20160050509

APPROVED: REV: A0 UNIT: mm SCALE: FULL SIZE: A4

Qztconn
 启之泰
 东莞市启之泰电子科技有限公司