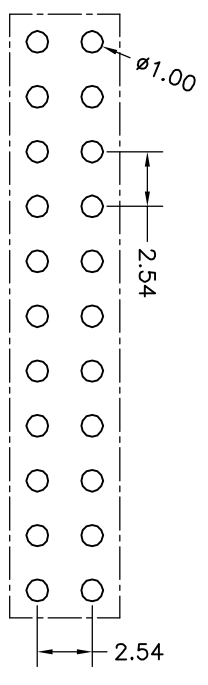
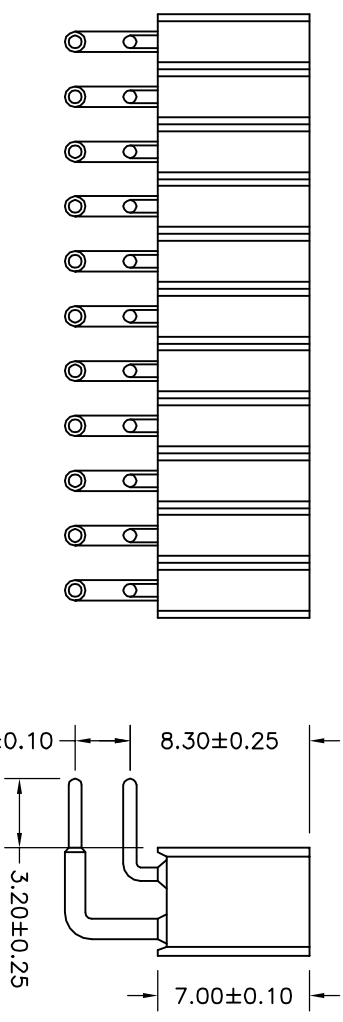
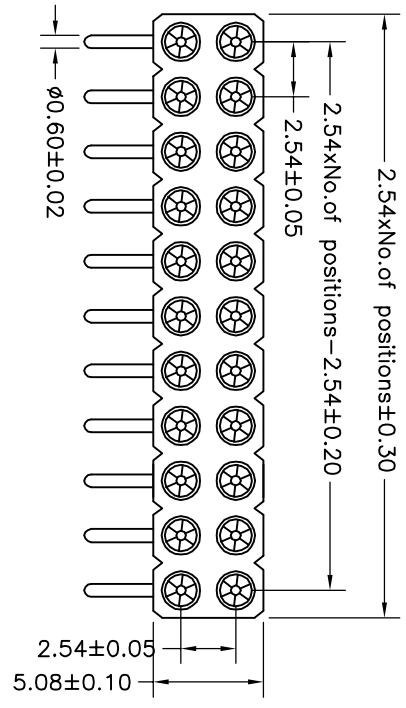


REVISION DATA		
REV	DESCRIPTION	DATE
A0	NEW DRAWING	16-4-16



P. C. B LAYOUT

Q27	X	X	-	X	XX	XX	XX	XXXX	X
Pitch(mm) A=1.27 B=1.78 C=2.00 D=2.54	Insulator Type code 1=Single row 2=Double row 3=three row	Angel Options R=90° S=SMT I=IC	No. of Positions XX positions	Pin plated T1=TiN 150u" T2=TiN 200u" G1=6/F G2=gold 3u" G3=gold 10u" G4=gold 15u" G5=gold 30u"	CLIP plated T1=TiN 150u" T2=TiN 200u" G1=6/F G2=gold 3u" G3=gold 10u" G4=gold 15u" G5=gold 30u"	Pin Length Options L276=12.76mm L776=17.76mm	Specifications A=Public seat B=Female seat		

Technical Data
Material:
Pin(outer sleeve): Brass, machined CuZn38Pb2
Plating(outer sleeve):
Tin Plated: 2µm/80µm"Ni, 5µm/200µ"Sn
Gold Plated: 2µm"/80µm"Ni, 0.8µ" gold
Plating(Contact): 2µm/80µ"Ni, gold or Tin plated
Insulator: PPS UL94V-0
Clip(Contact 6 Flinger): Beryllium copper, heat teated

Electrical:
Current rating: 3Amps/contact max.
Contact resistance: ≤4mΩ/contact
Insulation resistance: ≥1000MΩ at V=100V
Operating voltage: 60VAC/DC

Mechanical:
Average Insertion force with steel pin of ∅0.6: <140g
Average withdrawal force with steel pin of ∅0.43: >25g
Mechanical lige cycle: min 200
Operating temperature: -40° C to +105° C
Soldering temperature: +255° C

Qztconn 东莞市启之泰电子科技有限公司
启之泰

TOLERAVCE		PROJECTON		TITLE:	
X. XXX	±0.05		2.54mm Pitch SIP Sockets Dual Row Right	REV:	UNIT:
X. XX	±0.15		Angle Pin Length: 12.76mm/17.76mm	A0	mm
X. X	±0.20	DRAWN: TANG-S-G	PART NO: QZTD2-RXXXXXX1776B	SCALE:	SIZE:
X.	±0.30	CHECKED:	DRAWING NO: 2016041602	FULL	A4
ANGLE	±5.0°	APPROVED:			