

REVISION DATA		
REV	DESCRIPTION	DATE
A0	NEW DRAWING	16-4-12

Technical Data

Material:

CONTACT::phocphor brone

Plating (outer sleeve):

Tin Plated:2 $\mu$ m/80 $\mu$ m"Ni, 5 $\mu$ m/200 $\mu$ "Sn

Gold Plated:2 $\mu$ m"/80 $\mu$ m"Ni, 0.8 $\mu$ " gold

Insulator:PPS UL94V-0

Electrical:

Current rating:2amps/contact max.

Contact resistance:max 20m $\Omega$

Insatiation resistance:min 5000M $\Omega$

Dielectric strength:min 600V RMS

Mechanical:

Contact pressure:min 1.5N per contact

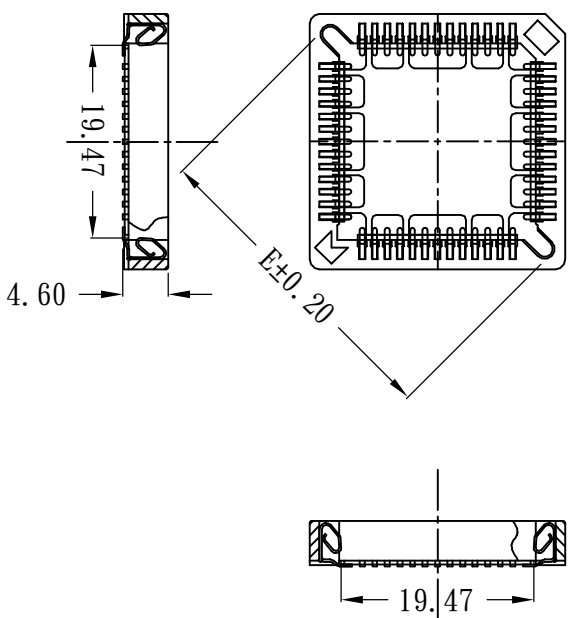
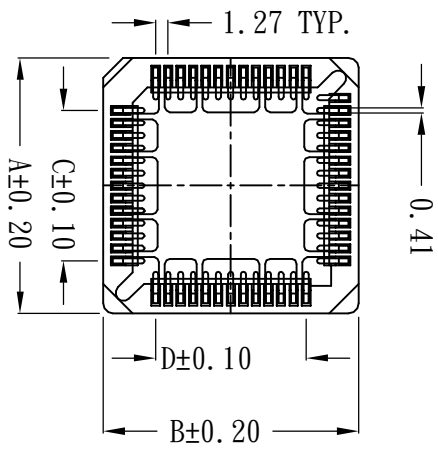
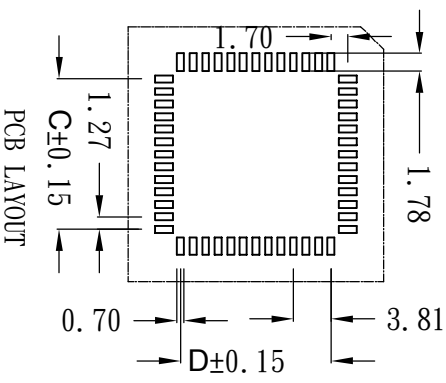
Mechanical life:min 50 cycles

Operating temperature:-40 $^{\circ}$  C to+105 $^{\circ}$  C

Soldering temperature:+255 $^{\circ}$  C

NO.OF CONTACTS	A	B	C	D	E
52P	25.84	25.84	15.24	15.24	31.70

PCB LAYOUT



QZT1	X	X	XX	XX	X	XXX
Pitch (mm) A=1.27 B=1.778 C=2.00 D=2.54	Angel Options P=PGA C1=PLCC-SMT C2=PLCC-DIP	No. of Positions XX positions	Pin plated T1=Tin 150u" T2=Tin 200u" G1=G/F G2=Gold 3u" G3=Gold 10u" G4=Gold 15u" G5=Gold 30u"	Insulator color 1=Black 2=Brown	Serial number 001-999	

启之泰 东莞市启之泰电子科技有限公司

TOLERAVCE

X.XXX	±0.05
X.XX	±0.15
X.X	±0.20
X.	±0.30
ANGLE	±5.0 $^{\circ}$

PROJECTION

DATE:	2016-4-12
DRAWN:	TANG-S-G



TITLE:  
PLCC Connectors 1.27mm

CHECKED:		PART NO:QZT1A-C152XXX005
DRAWING NO:2016041205		
REV: A0	UNIT: mm	SCALE: 1:1
APPROVED:	SIZE: A4	PAGE: 1/2

A B C D E

1 2 3 4 5 6 7